

# 2004 SONY MOBILE PRODUCT GUIDE



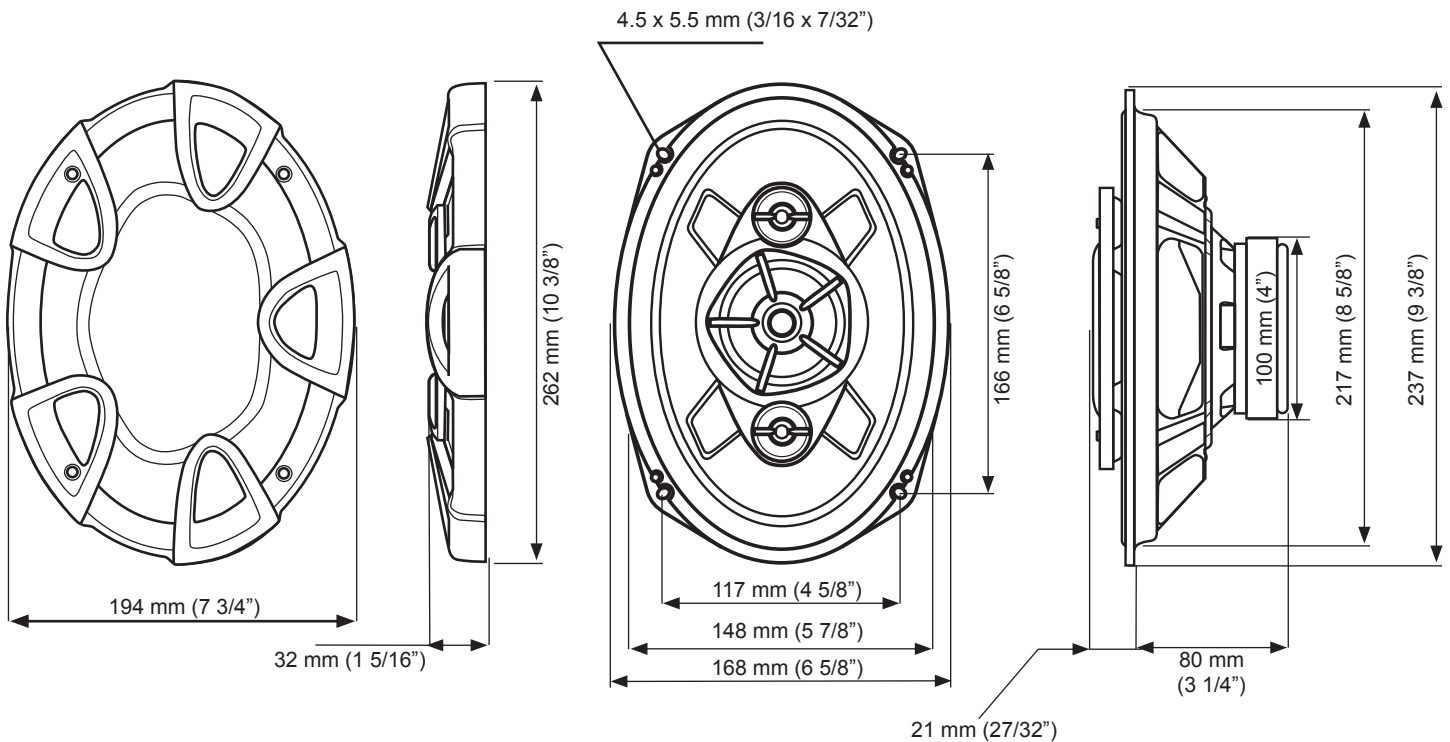
- 6 x 9" HOP woofer cone
- 2-9/16" Nano-fine mid
- 1" balanced dome tweeter
- 1" balanced dome super tweeter
- 400W peak power (100W RMS)
- Flexible mounting options

## XS-V6945X 4-Way Speaker

### Specifications

|                    |   |
|--------------------|---|
| Speaker            | Coaxial 4-way                                   |
|                    | Woofer 16 x 24 cm (6 3/8 x 9 1/2 in.) cone type |
|                    | Midrange 6.6 cm (2 5/8 in.) cone type           |
|                    | Tweeter 2.5 cm (1 in.) balance dome type        |
|                    | Super tweeter 2.5 cm (1 in.) balance dome type  |
| Peak Power         | 400 watts                                       |
| Rated Power        | 100 watts                                       |
| Impedance          | 4 ohms  |
| Sensitivity        | 93 dB/W/m                                       |
| Frequency response | 25 - 32,000 Hz                                  |
| Mass               | Approx. 1,630 g (3 lb 10 oz) per speaker        |

### Dimensions



Design and Specifications subject to change without notice.

**SONY**